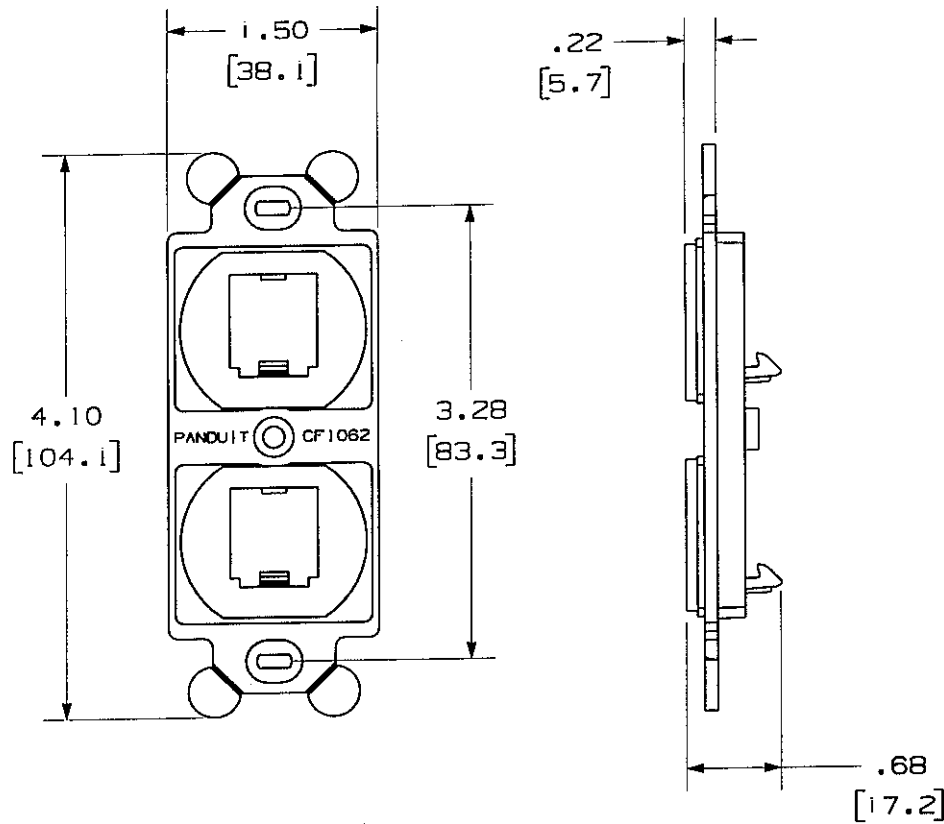


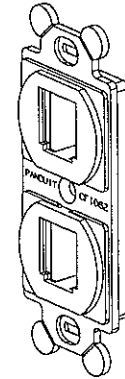
THIS COPY IS PROVIDED ON A RESTRICTED BASIS AND IS NOT TO BE USED IN ANY WAY DETRIMENTAL TO THE INTERESTS OF PANDUIT CORP.



PANDUIT P/N	WEIGHT
CF1062**Y	.25 LB/10 PCS (115.7 g/10 PCS)

NOTES:

- SEE CURRENT CATALOG FOR ADDITIONAL PART NUMBER SUFFIXES TO INDICATE COLOR AND OR PACKAGE QUANTITY.
- SEE CATALOG FOR COMPLETE LIST OF PARTS APPLICABLE FOR USE WITH THIS PART.
- DIMENSIONS IN PARENTHESES ARE IN METRIC.
- PART INCLUDES:
 - 1- 106 FRAME
 - 2- MOUNTING SCREW



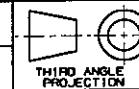
MODEL FILENAME	M00842BA_CF1062_02.PRT	SIZE A
DRAWING FILENAME	M02479GR_DC176_00A.PRT	

NETWORK SYSTEMS

MAY 25 2006

ENGINEERING DEPT

MINI-COM 2 POSITION "106"
SERIES FRAME CUSTOMER DRAWING



THIRD ANGLE PROJECTION

ALL DIMENSIONS ARE GIVEN IN INCHES, UNLESS OTHERWISE SPECIFIED.
DIMENSIONAL TOLERANCES ARE:
(.X) ± .010
(.XX) ± .001
(.XXX) ± .001
ANGLES ±

I.I. NUMBER	N/A
PRODUCT SPEC	N/A
WORK INSTRUCTION	N/A
SCALE	NONE
PART NO.	CF1062**Y
DRAWING NO.	02479-176

REV	DATE	BY	CHK	DESCRIPTION	ECN	R	CUST	SUP	OTH
R	4-18-06	JsP	<i>MD</i>	RELEASED TO PRODUCTION	02479-176				

DRAWN BY	JsP
DATE	4-18-06
CHK'D	<i>MD</i>

MATERIAL:	ABS
-----------	-----